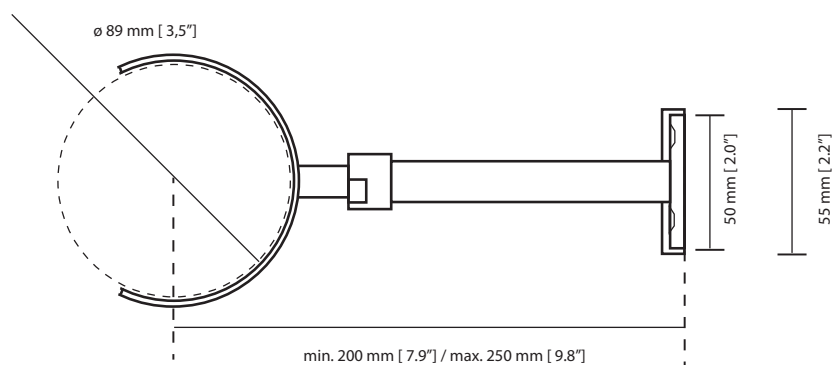




# JEE-O fatline wall bracket specifications



Article code:

**201-6000**

● brushed stainless steel

**201-6001**

● polished stainless steel

Material:

Stainless Steel r304

Cleaning:

JEE-O protect

Dimension package:

L 25 x W 15,5 x H 14 cm

Total weight:

0.4 kg

Package weight:

0.1 kg

2 year warranty

HS code: 84818011900